



# catrax *plus*



design  
security  
flexibility

**digicon**  
beyond **technology.**



### SPECIAL DESIGN

Catrax Plus turnstile pedestal has rounded corners and plenty of internal space to facilitate the assembly of electronic and other types of components. As access is gained by a key lock, there are no exposed screws.

### SMOOTHER PASSAGE

Arms with a 90-degree passageway allow for a smooth turn and lessen the impact of the turnstile arm on patrons after each passage.



### CUSTOMIZED PRODUCTS

Catrax Plus top panel is manufactured in high impact engineering plastic and is available in black, Bordeaux red and green (special colors can be optionally supplied). The stainless steel cover allows for easy, low-cost configuration, and can be customized with the customer's own brand identity. The turnstile can also be equipped with bar code or magnetic card slot readers (optional).



### ACCESS PERMISSION

Catrax Plus can be configured with pictograms to inform access permission and detect direction of movement.



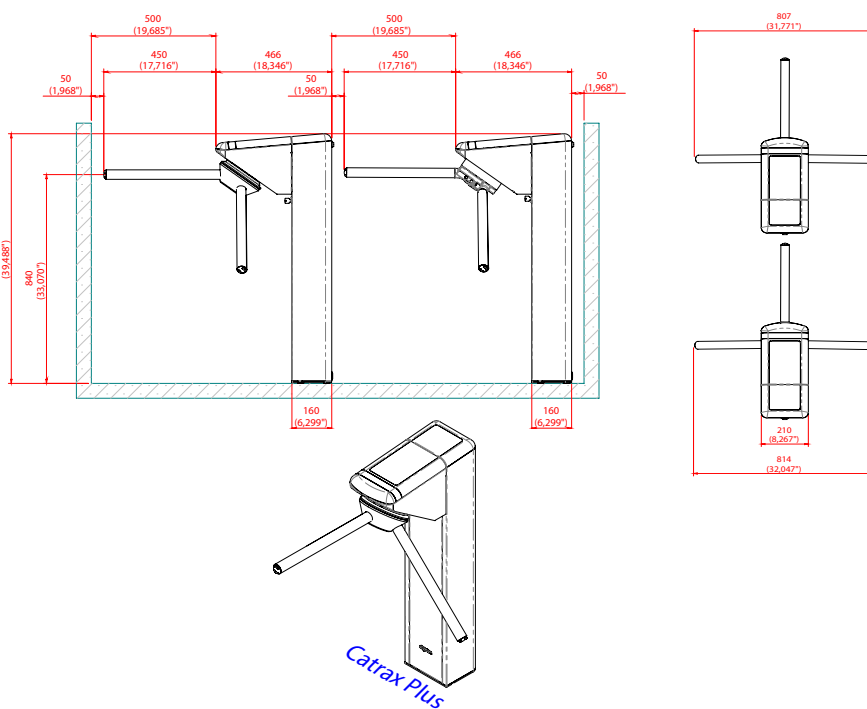
### ANTI-PANIC, DROP ARM SYSTEM

Through an anti-panic mechanism the arm drops leaving the access free. This special feature can be activated in emergency situations through a pushbutton, central control room or in the occurrence of a power failure. The Drop Arm Mechanism can optionally inform the system when the arm drops.



### RELIABILITY AND SAFETY

Optical sensors and electromagnets are used to activate locks, thus preventing mechanical wear and increasing equipment life.



**GERAN**  
physical access control products

Butaanstraat 23  
7463 PG Rijssen  
P: +31(0)548-543000  
www.geran-access.com

**digicon**  
beyond technology.



+55 51 3489 8793  
www.digicon.com.br  
/digicontecnologia  
/company/digicon-international

www.digicon.com.br/en  
Rua Nissin Castiel, 640 · Gravataí · RS  
Zip Code 94045-420 · (51) 3489 8900