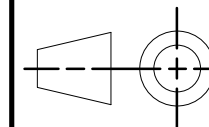


PROJECT:

VELOCITY VEHICLE BARRIER SKIRT

SCALE: NTS



FIRST ANGLE PROJECTION

DIMENSIONAL TOLERANCES
(UNLESS OTHERWISE SPECIFIED):

FROM:	TO	TOLERANCE
0	25	+- 0.25
26	100	+- 0.50
101	250	+- 1.00
251	500	+- 1.50
501	1000	+- 2.50
1001	>	+- 3.00

APPROVALS:

Drawn By:	Eric Swart	2023/03/24
Designed By:	Eric Swart	2023/04/04
Checked By:	Pedro Gouvea	2023/04/05
Eng Approved:	Pedro Gouvea	2023/04/05

MASS:

70.0 kg

MATERIAL:

-

FINISH:

STANDARD FINISH

DESCRIPTION:

**VEVB-VELOCITY SKIRT BOOM
VEHICLE BARRIER (3M)**

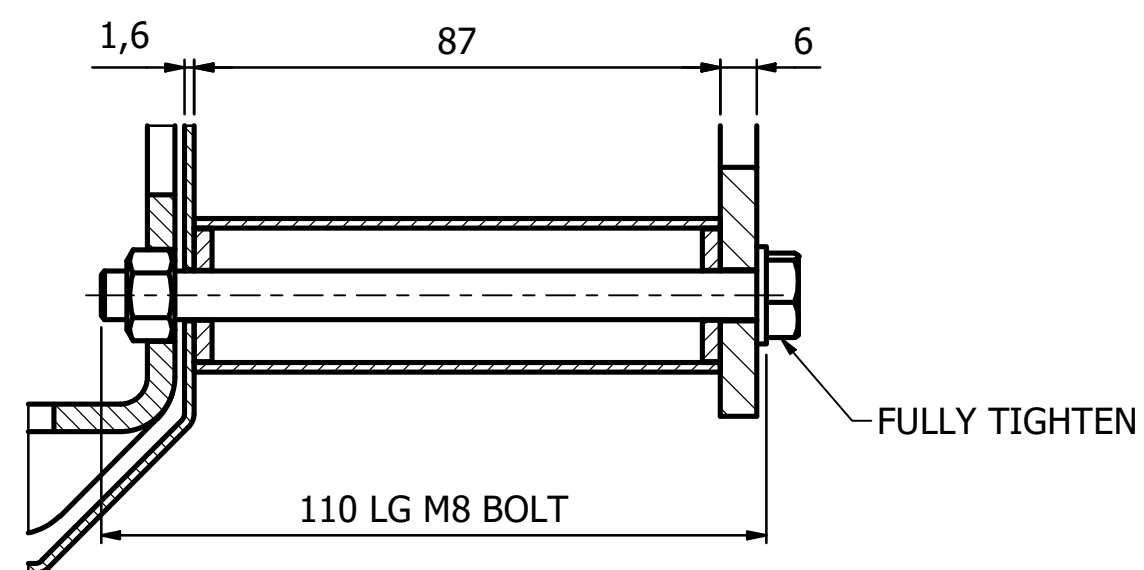
PART NUMBER:

VVBS-AS-01

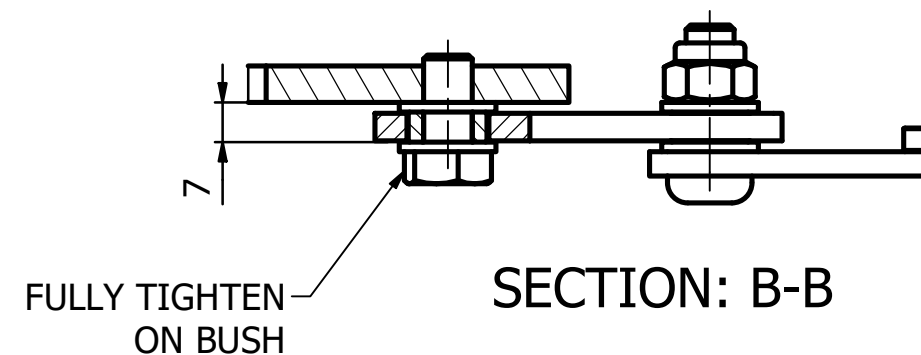
REV:

0

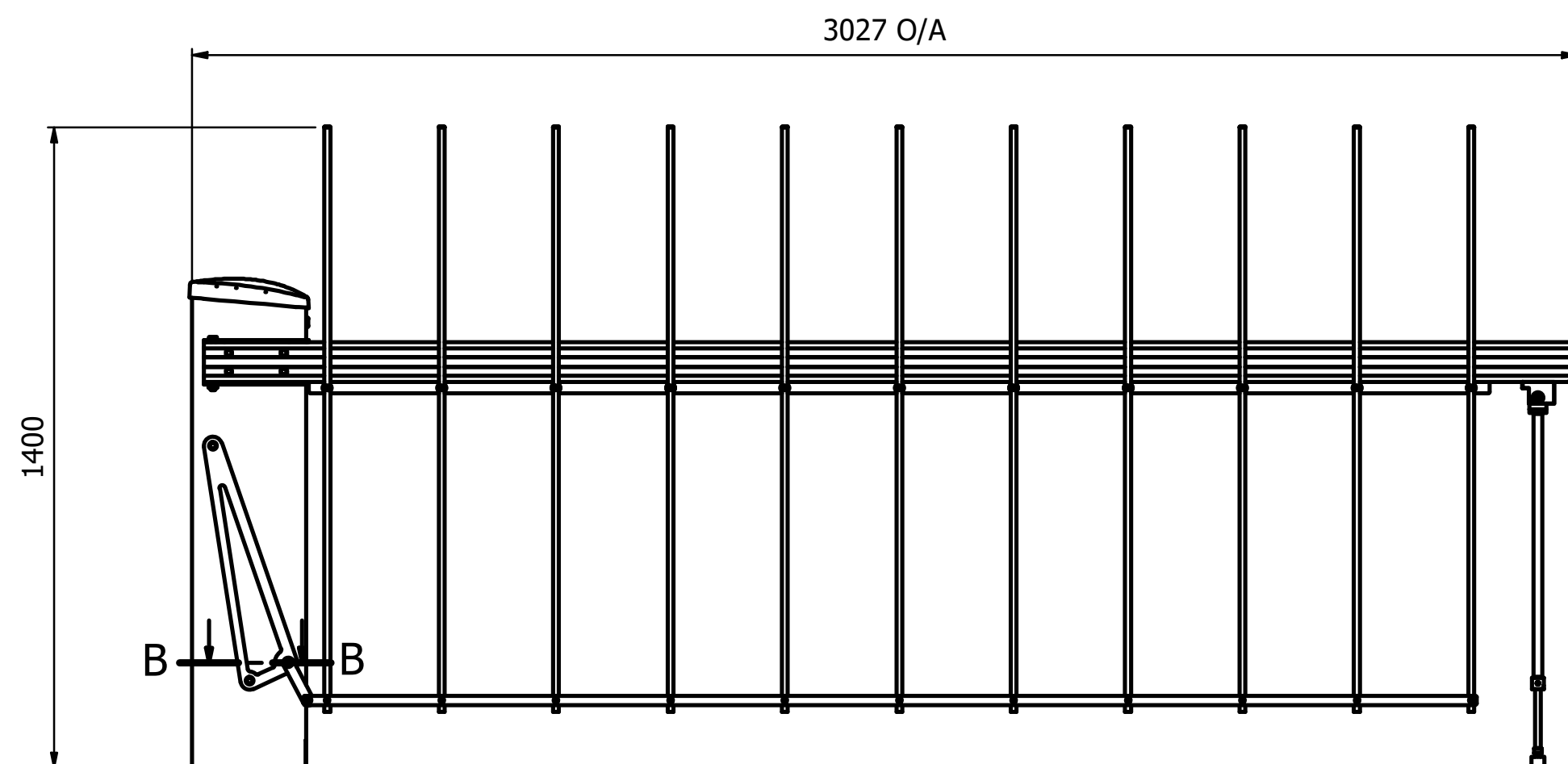
SHEET: 1 OF 2



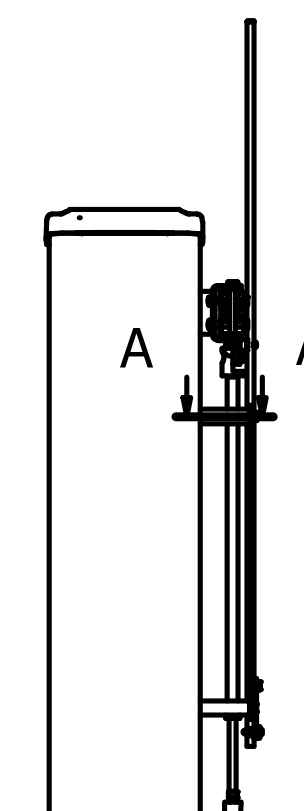
SECTION: A-A



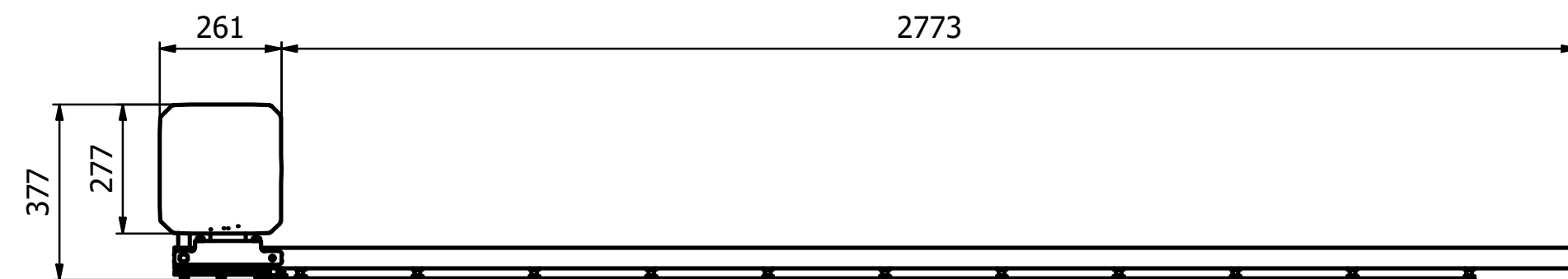
SECTION: B-B



FRONT



SIDE (L)



TOP

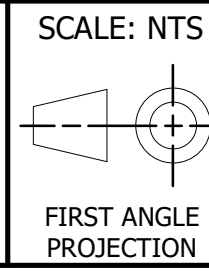
PARTS LIST			
ITEM	QTY	PART NUMBER	DESCRIPTION
1	1	VEVB-SA-01	SUB ASSEMBLY MAIN BODY
2	1	VVBS-AS-08	WALKING STICK ASSEMBLY
3	4	M8x16-PFW-A2	M8x16 PLAIN FLAT WASHER, A2
4	1	M8x25-BHCS-ZP	M8x25 BUTTONHEAD CAPSCREW, ZP
5	2	M8x110-HB-ZP	M8x110 HEX BOLT 4.8, ZP
6	2	M8x16-PFW-ZP	M8x16 PLAIN FLAT WASHER, ZP
7	2	VVBS-WM-01	SUPPORT ARM
8	1	VVBS-LC-02	TRIANGLE BRACKET
9	1	VVBS-LC-04	CONNECTING PLATE
10	1	M8-HN-ZP	M8 NYLOCK HEX NUT, GR6
11	1	M8x16-HSS-ZP	M8x16 HEX SET SCREW, 4.8, ZP
12	2	VVBS-MA-21	SKIRT SPACER
13	1	16x32-PW-ZP	16 x 32 PLAIN WASHER, ZP
14	1	M16-NHN-ZP	M16 NYLOCK HEX NUT, ZP
17	1	VVB-SA-12	3 METER ARM ASSEMBLY
18	1	VEVB-SA-01	ASSEMBLY SKIRT FRAME OUTSIDE (3M)



Turnstar Systems (Pty) Ltd.
 18, 6th Street
 Wynberg
 Sandton
 2090
 South Africa

Tel: +27(0)11 786 1633
 Fax: +27(0)11 440 5839

PROJECT:
VELOCITY VEHICLE BARRIER SKIRT



DIMENSIONAL TOLERANCES (UNLESS OTHERWISE SPECIFIED):

FROM:	TO	TOLERANCE
0	25	+- 0.25
26	100	+- 0.50
101	250	+- 1.00
251	500	+- 1.50
501	1000	+- 2.50
1001	>	+- 3.00

APPROVALS:

Drawn By:	Eric Swart	2023/03/24
Designed By:	Eric Swart	2023/04/04
Checked By:	Pedro Gouvea	2023/04/05
Eng Approved:	Pedro Gouvea	2023/04/05

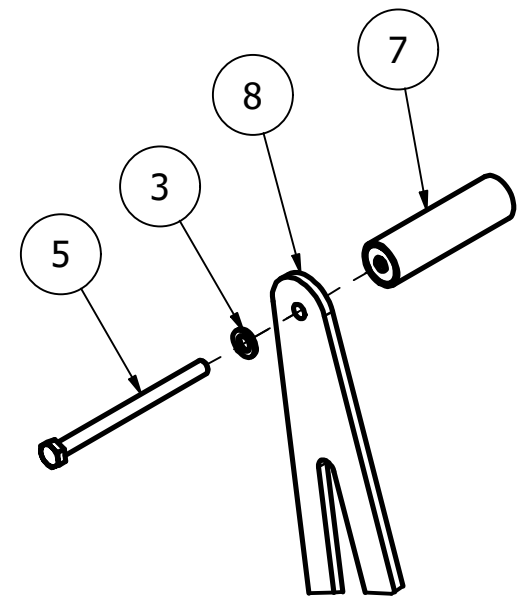
MASS:
 70.0 kg

MATERIAL:
 -

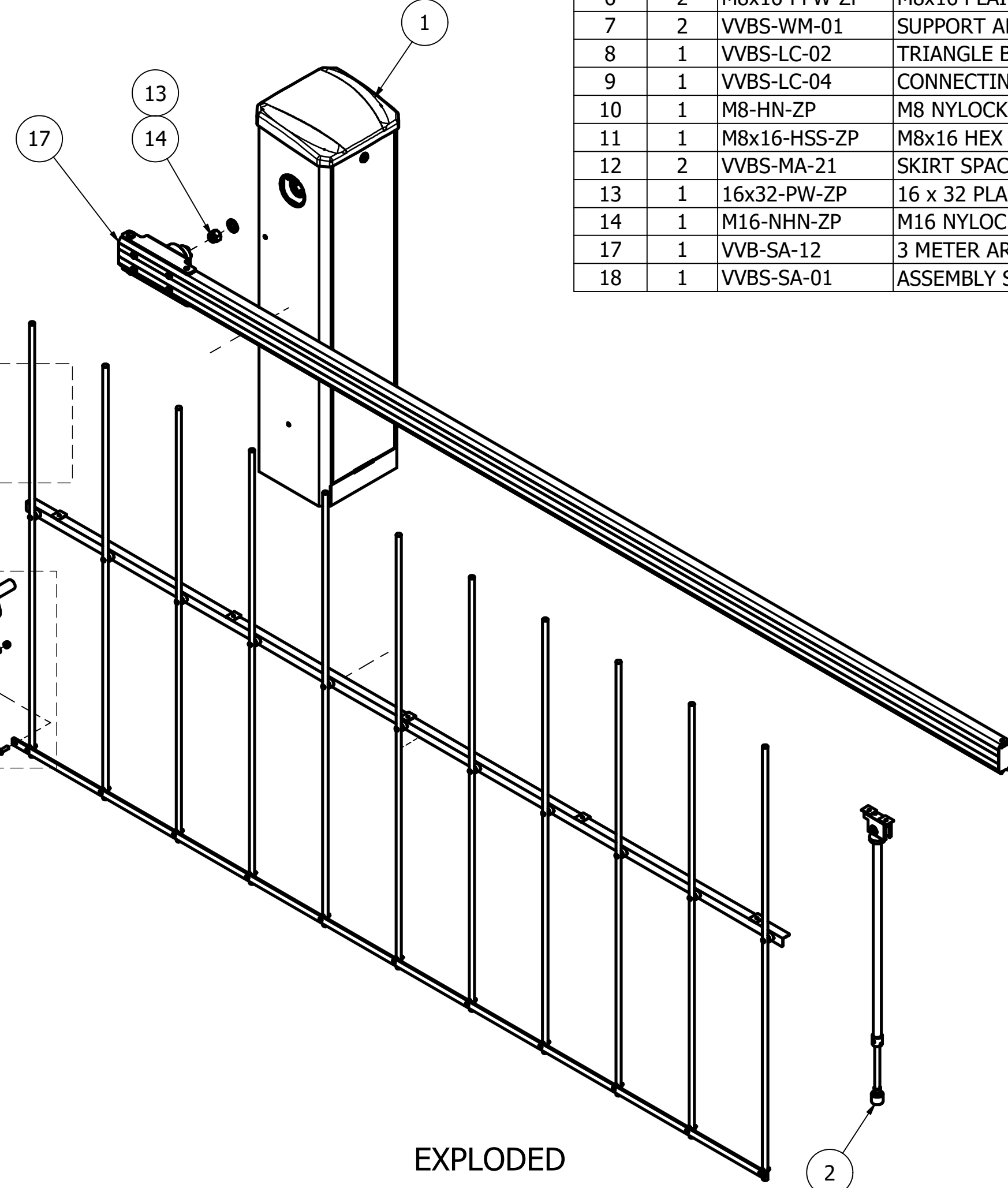
FINISH:
 STANDARD FINISH

DESCRIPTION:
VEVB-VELOCITY SKIRT BOOM VEHICLE BARRIER (3M)

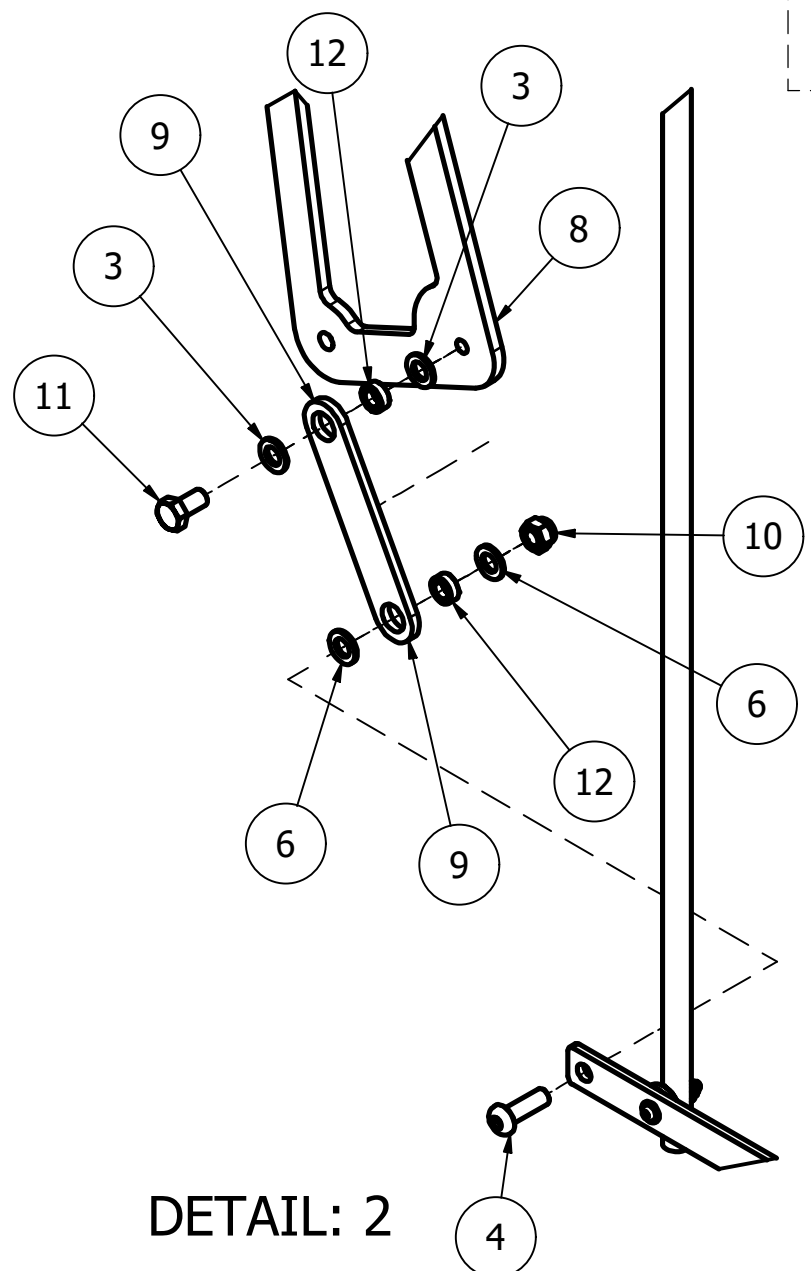
PART NUMBER:	REV:
VVBS-AS-01	0



DETAIL: 1



EXPLODED



DETAIL: 2