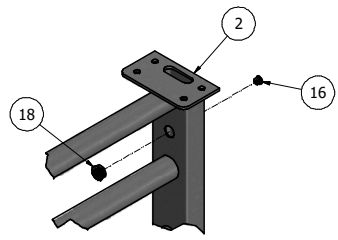
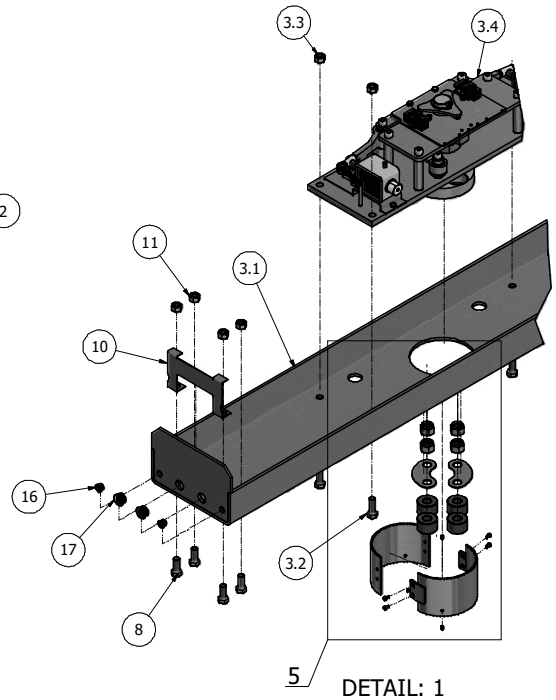


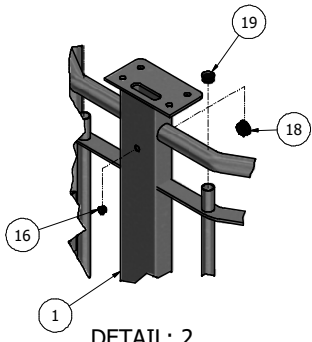
EXPLODED VIEW



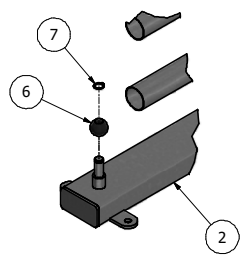
DETAIL: 3



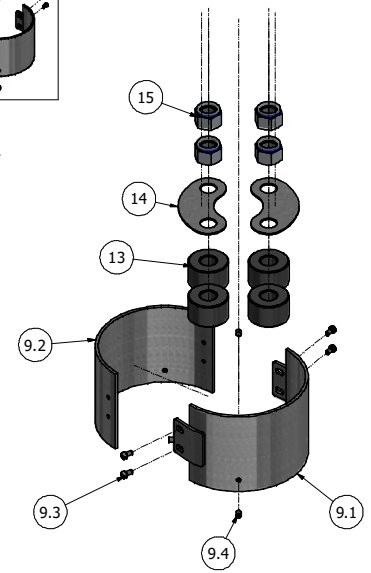
DETAIL: 1



DETAIL: 2



DETAIL: 4



DETAIL: 5

PARTS LIST			
ITEM	QTY	PART NUMBER	DESCRIPTION
1	1	GRN-CA-001	3-ARM SCREEN, GALVANISED (GERAN)
2	1	GRN-CA-002	TITAN COMB, GALVANISED (GERAN)
3	1	GRN-CA-003	SINGLE TOP CHANNEL ASSEMBLY, FAIL SAFE, GALVANISED (GERAN)
3.1	1	FH-CA-004	SINGLE TOP CHANNEL, GALVANISED
3.2	4	HBM12X35	HEX BOLTS Z/P M12 X 35
3.3	4	MSHNM12	M12 HEX NUT ZINC PLATED
3.4	1	TSM-CA-01.1	3-ARM FAIL SAFE MECHANISM
4	1	GRN-CA-004	SINGLE TITAN 3 ROTOR, GALVANISED (GERAN)
5	1	FH-CP-024	BEARING HOUSING
6	1	FH-CP-025	BEARING SPHERE
7	1	17x1 EX CC	17x1 EXTERNAL CIRCLIP
8	8	HBM12X30	HEX BOLTS Z/P M12 X 30
9	1	GRN-CA-010	SPLIT COVER AS
9.1	1	GRN-CA-009	SPLIT SLEEVE WELDMENT A
9.2	1	GRN-CP-009	SPLIT SLEEVE B
9.3	4	CHMSM4X8	CHEESEHEAD SCREW SLOTTED M4X8
9.4	4	GSMM5X8	GRUB SCREW, M5x0.8x8mm CONE POINT (ZINK PLATED)
10	2	FH-CP-035	LOCKING PLATE
11	8	MSHNM12	M12 HEX NUT ZINC PLATED
12	1	FH-CA-012	SINGLE TOP COVER ASSEMBLY
13	4	FH-CP-041	RUBBER BUFFER, 40 OD x 16 ID x 25
14	2	FH-CP-042	BEAN WASHER
15	4	NNM16	NYLOC NUTS M16
16	6	TMP-13INT-PLUG-BLACK	DIA 13 INTERNAL PLUG, BLACK HDPE
17	4	TMP-20-22COVER-PLUG-BLACK	DIA 20-22 COVER PLUG, BLACK HDPE
18	2	TMP-26-28COVER-PLUG-BLACK	DIA 26-28 COVER PLUG, BLACK HDPE
19	8	TMP-25TUBE-PLUG-BLACK	DIA 25 TUBE PLUG, BLACK HDPE

DATE:  
2016/09/21

FILE:  
GRN-GA-001.idw

PRODUCT NO:  
GRN-GA-001

REV:  
1

PRODUCT:  
FULL HEIGHT 3-ARM TURNSTILE - GERAN

