

PULSE

AUTOMATIC GATE



- Provides controlled access and unassisted opening and closing for any need, be it trolley, wheelchair or baby buggy
- Automatic glass wing which does the work for you
- Incorporating BLDC motor drive technology
- Exported worldwide



APPLICATIONS

- Suited for applications requiring medium volume access and low levels of security
- Used extensively in applications such as office receptions, commercial buildings, health clubs and public buildings

DESIGNED FOR

- Interior installations

AVAILABLE CONFIGURATIONS

- 180° opening
- Frameless toughened safety glass wing
- Stainless steel frame wing with horizontals

SECURITY RATING



UNIQUE FEATURES OF THE PULSE AUTOMATIC GATE

- Designed by professional engineers
- Cutting edge motor drive technology

RELIABLE TECHNOLOGY

- Ultra reliable BLDC motor drive with planetary gearbox
- Tooth clutch for effective locking

DURABLE FEATURES

- **UPRIGHT POST** | 140mm diameter 304 grade brushed stainless steel
- **WING OPTIONS** | 8mm CNC toughened glass
| 38mm diameter stainless steel frame with 25mm diameter horizontals

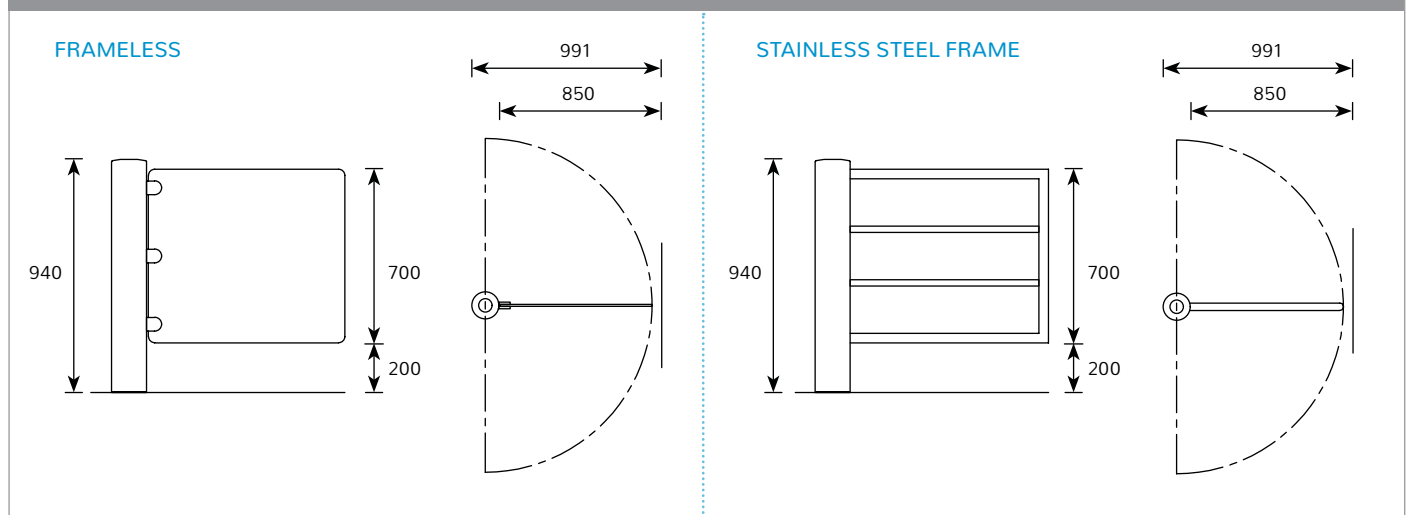
GUARANTEED MANUFACTURED TO LAST

- 12 month guarantee

TECHNICAL SPECIFICATIONS

| | | |
|-------------------------|------------------------------------------------------------------|------------------------------------|
| POWER | 100V - 240V AC $\pm 10\%$ at 50Hz | |
| OPERATING VOLTAGE | 24 Volt DC | |
| COLLISION DETECTION | Current sensing | |
| POWER FAILURE OPERATION | The glass wing can be easily be turned by hand | |
| FIRE ALARM OPERATION | Trigger allows automatic opening in desired direction | |
| SYSTEMS INTEGRATION | Integrates with all access control and time & attendance systems | |
| CONTROL UNIT AND PSU | Supplied in gate upright post (no separate box) | |
| TRIGGER OPTIONS | Trigger to open - timeout to close (15 seconds) | Trigger to open - trigger to close |

PULSE AUTOMATIC GATE RANGE



© Turnstar Systems

MANUFACTURER

EUROPEAN DISTRIBUTOR

PARTNER



JOHANNESBURG HEAD OFFICE
 18 6th Street, Wynberg, Sandton, 2090
 T: +27 (0)11 786 1633 | F: +27 (0)11 440 5839
 E: info@turnstar.co.za | W: www.turnstar.co.za



DISTRIBUTED EXCLUSIVELY IN EUROPE BY GERAN
 Butaanstraat 23, 7463 PG Rijssen
 T: +31 (0) 548-543000 | F: +31 (0) 548-541130
 W: www.geran-access.com