

Concrete Plinth @ 20MPa, 1500 x 1400 x 125 deep

● = Anchoring Points - Keep free of conduit

Date	Rev	Description
-	-	-
Revision History		

NOTES:

D:\DRW Shared\Projects\PR10671 - Geran Netherlands - Craig\Logo\Geran1.jpg



Created: 14/10/2015 By: Eric
 Last Saved: 22/11/2018 Login:
 File: Projects\PR10671\

Drawn By: Eric
 Checked By:

Project:
 GERAN

Drawing No:

ANKERPLAN ENKEL

Description:

**3-ARM SINGLE FULL HEIGHT
 TURNSTILE PLINTH DETAILS**

PROJECT #:

PROJECT:

SITE:

CLIENT:

DIMENSION TOLERANCES (Unless otherwise specified):		SCALE: NTS
FROM:	TO	TOLERANCE
0	25	+/- 0.25
26	100	+/- 0.50
101	250	+/- 1.00
251	500	+/- 1.50
501	1000	+/- 2.50
1001	>	+/- 3.00

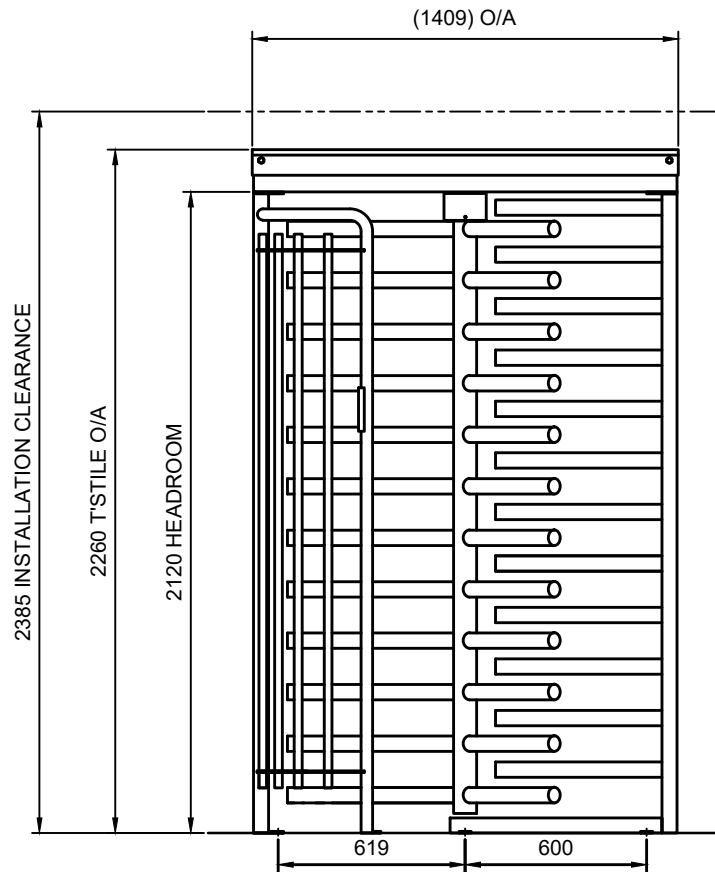
APPROVALS: PAGE SIZE: A4

Drawn:	Eric Swart	2018/09/18
Checked:	Craig Sacks	2018/09/18
Approved:	Craig Sacks	2018/09/18

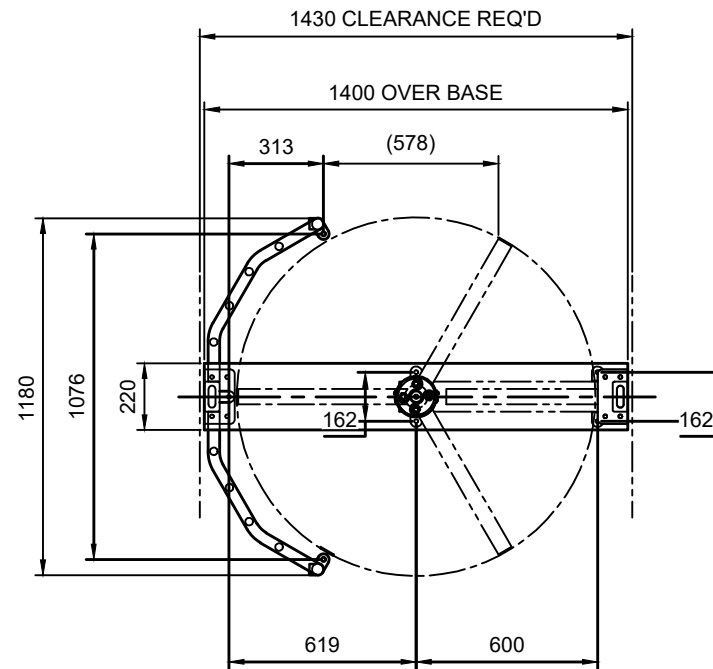
DESCRIPTION:

**3-ARM FH SINGLE
TURNSTILE - GERAN SPEC.**

NUMBER:	REV:
ENKELE TOURNIQUET	0



ELEVATION



PLAN
(COVER OMITTED)