

| PARTS LIST | | | |
|------------|-----|--------------|---|
| ITEM | QTY | PART NUMBER | DESCRIPTION |
| 1 | 1 | 527-WM-16 | TITAN 3 DOUBLE COMB A WELDMENT - GALV (GERAN) |
| 2 | 12 | 38-TP-BL | 38 TUBE PLUG |
| 3 | 1 | PLG-50x50-BL | 50 SQUARE PLUG, BLACK |



Turnstar Systems (Pty) Ltd.
 18, 6th Street
 Wynberg
 Sandton
 2090
 South Africa

Tel: +27(0)11 786 1633
 Fax: +27(0)11 440 5839

PROJECT:

GERAN FH TURNSTILES

SCALE: NTS
 FIRST ANGLE PROJECTION

DIMENSIONAL TOLERANCES (UNLESS OTHERWISE SPECIFIED):

| FROM: | TO | TOLERANCE |
|-------|------|-----------|
| 0 | 25 | +- 0.25 |
| 26 | 100 | +- 0.50 |
| 101 | 250 | +- 1.00 |
| 251 | 500 | +- 1.50 |
| 501 | 1000 | +- 2.50 |
| 1001 | > | +- 3.00 |

APPROVALS:

| | | |
|---------------|---------------|------------|
| Drawn By: | Thuso Mohlala | 2023/12/19 |
| Designed By: | Thuso Mohlala | 2023/12/19 |
| Checked By: | | |
| Eng Approved: | | |

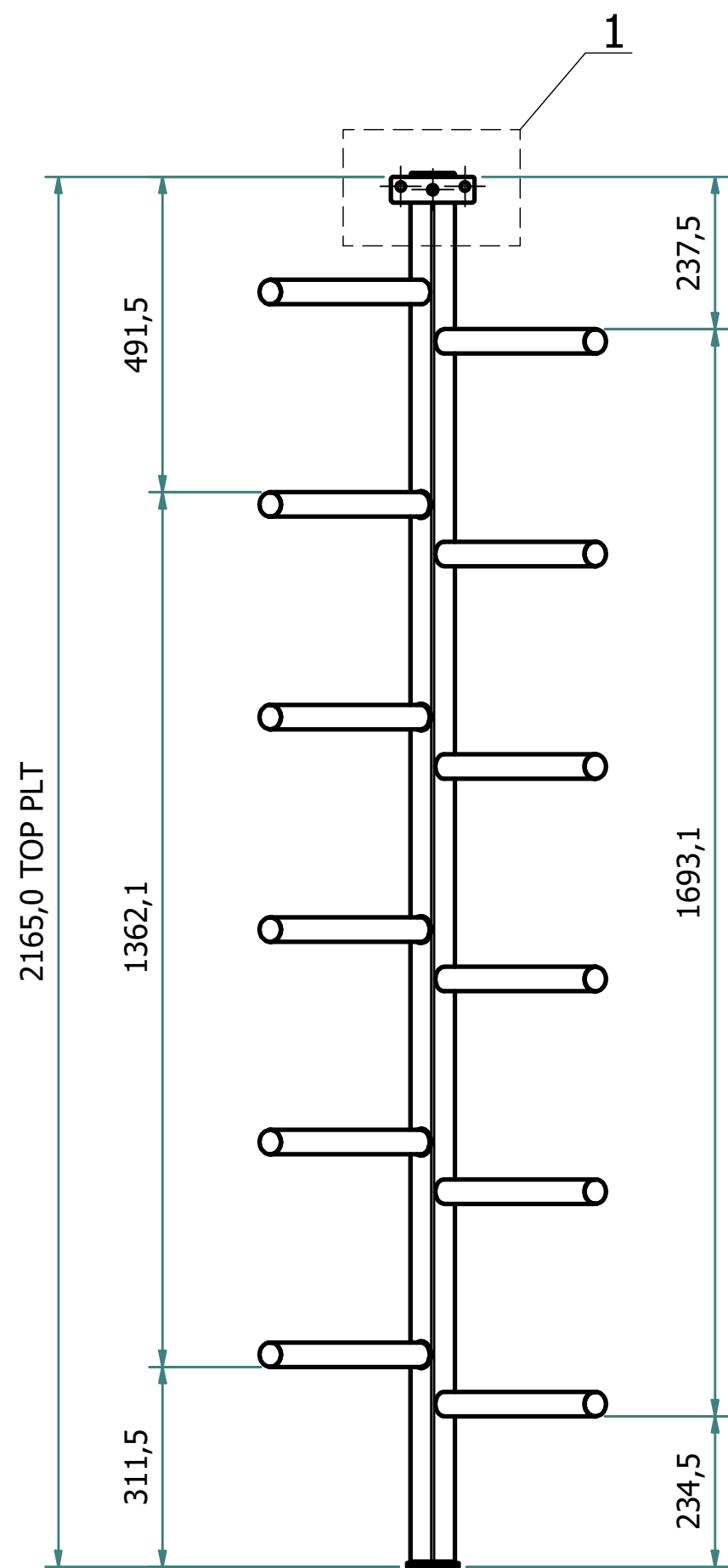
MASS:
14,77 kg

MATERIAL:
-

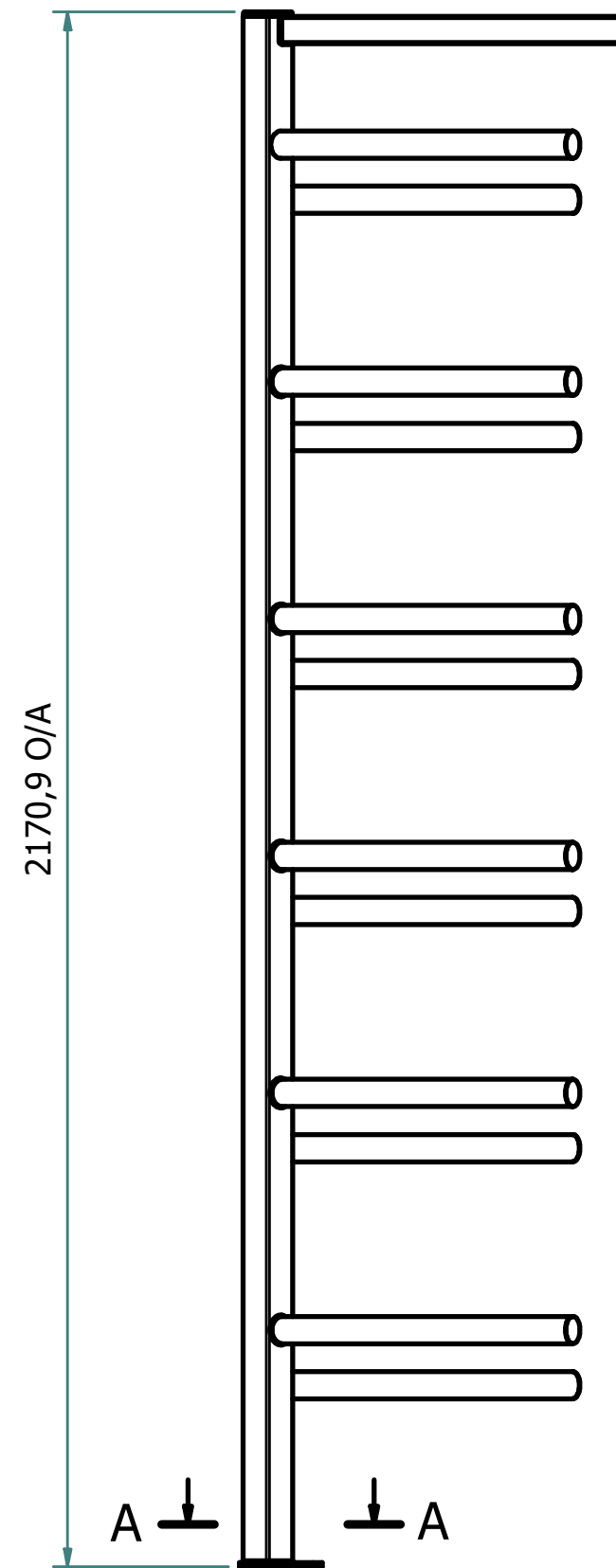
FINISH:

DESCRIPTION:
TITAN 3 DOUBLE COMB A ASSEMBLY - GALV (GERAN)

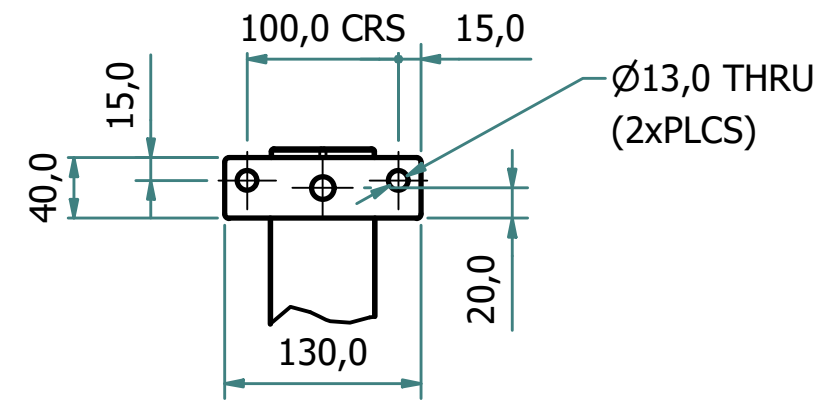
| | |
|----------------------------------|-------------------|
| PART NUMBER: 527-SA-12 | REV: 0A |
|----------------------------------|-------------------|



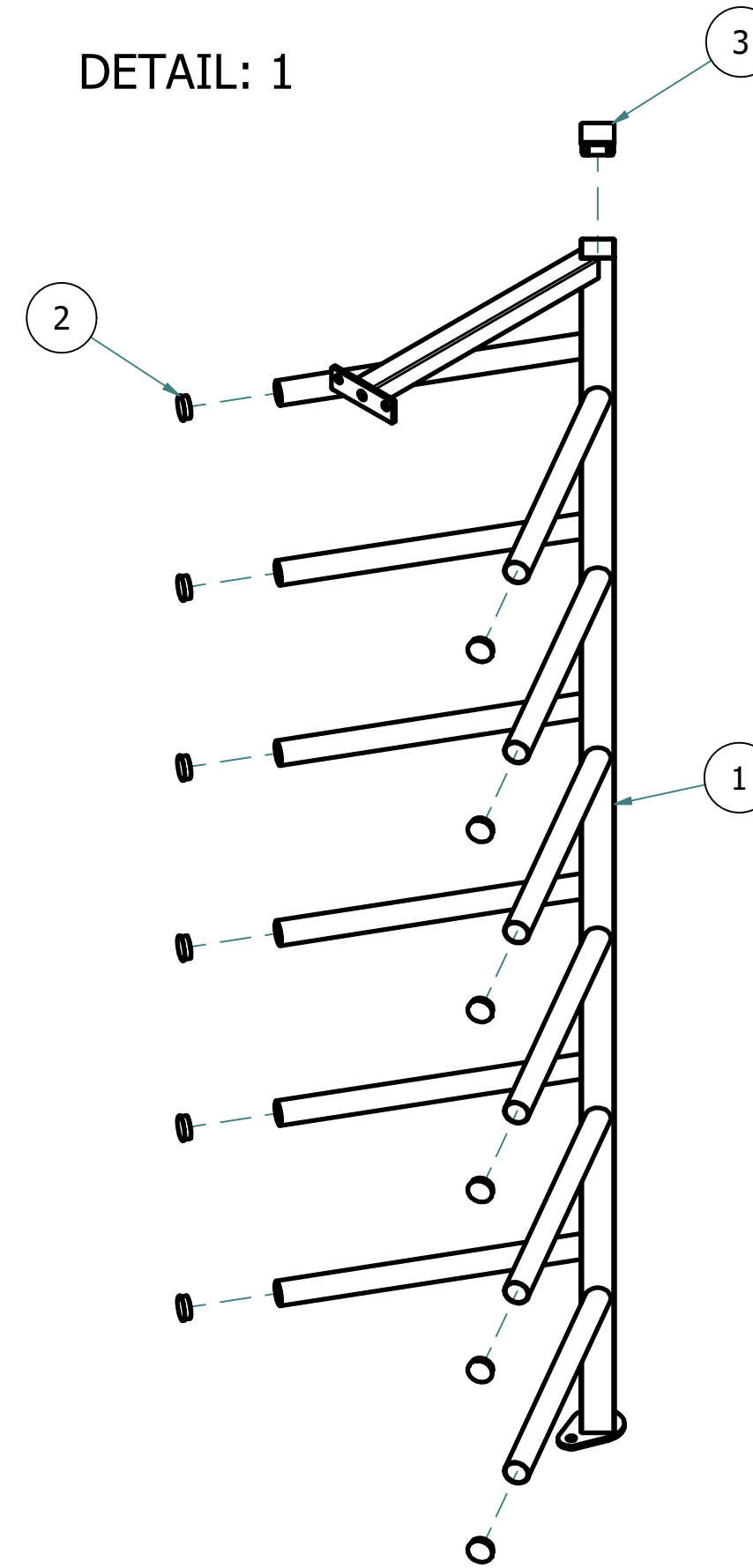
FRONT



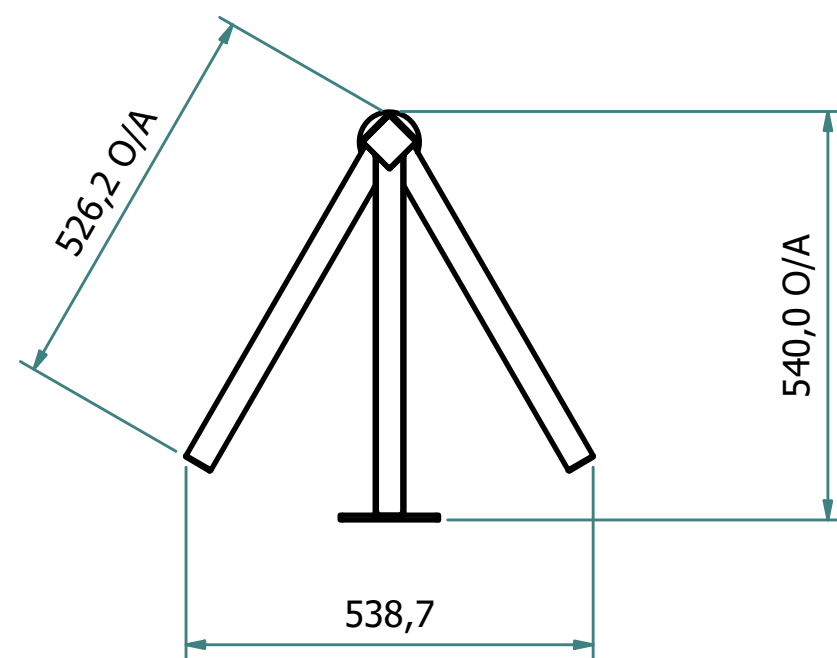
SIDE (L)



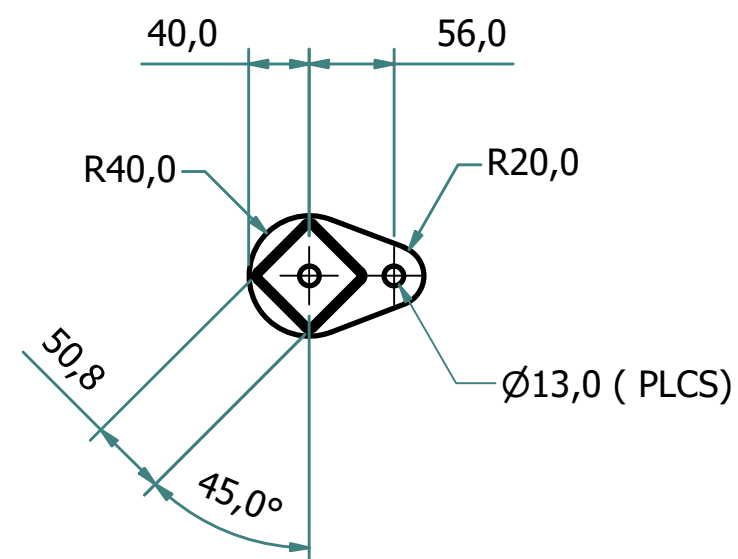
DETAIL: 1



EXPLODED



TOP



SECTION: A-A