



# catrax *master*



design  
security  
flexibility

**digicon**  
beyond **technology.**



### CUSTOMIZED FINISH

The turnstile is available in brushed stainless steel or mild steel with high resistance powder epoxy finish.



### SMOOTHER PASSAGE

Arms with a 90-degree passageway allow for a smooth turn and lessen the impact of the turnstile arm on patrons after each passage.



### ACCESS PERMISSION

Lateral and top side pictograms inform access and direction of permission and inform the operational status of the turnstile.



### ANTI-PANIC, DROP ARM SYSTEM

Through an anti-panic mechanism the arm drops leaving the access free. This special feature can be activated in emergency situations through a pushbutton, central control room or in the occurrence of a power failure. The Drop Arm Mechanism can optionally inform the system when the arm drops

### INTEGRATION

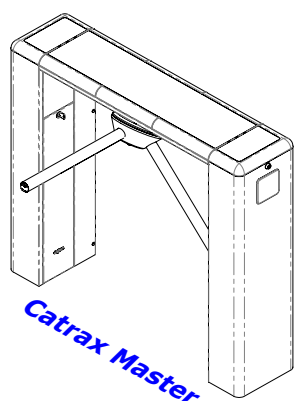
The Catrax line of products was designed to simplify the process of integrating the turnstile to on-board peripherals such as displays, UPS/nobreaks, card readers, control electronics. Large and easily accessible internal volumes permit loading the turnstile the specific requisites of clients.

### RELIABILITY AND SAFETY

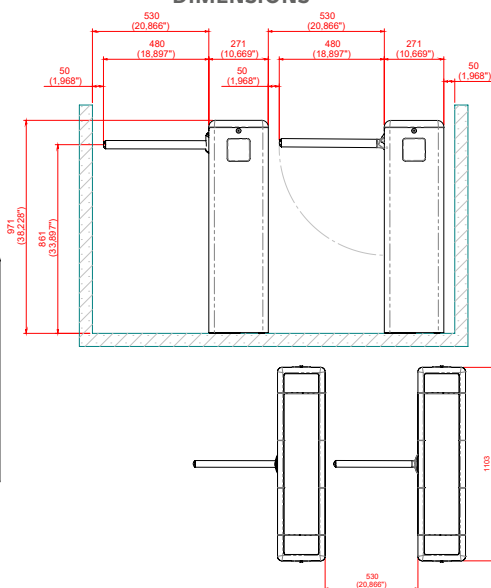
Optical sensors and electromagnets are used to activate locks, thus preventing mechanical wear and increasing equipment life.

### SPECIAL DESIGN

The top panel is manufactured in high impact engineering plastic, is available with a stainless steel finish, and can be customized with the customer's own brand identity. In addition, it is safer for the user, since it has rounded corners and there are no exposed screws.



### DIMENSIONS



**GERAN**  
physical access control products

Butaanstraat 23  
7463 PG Rijssen  
P: +31(0)548-543000  
www.geran-access.com

**digicon**  
beyond technology.



+55 51 3489 8793  
www.digicon.com.br  
/digicontecnologia  
/company/digiconsa

www.digicon.com.br  
Rua Nissin Castiel, 640 • Gravataí • RS  
CEP 94045-420 • (51) 3489 8900