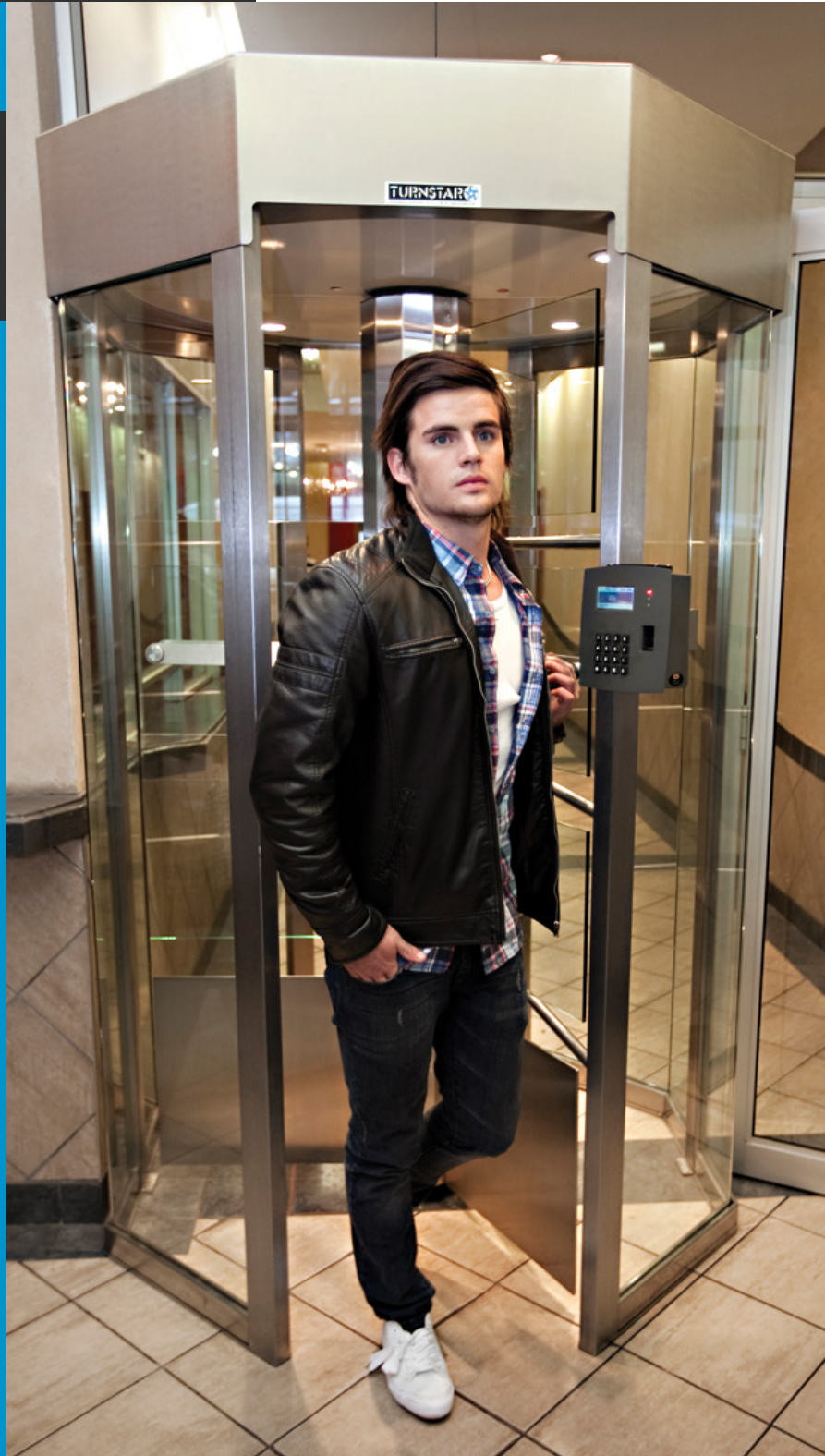


## TRITON

### FULL HEIGHT OCTAGONAL GLASS TURNSTILE



- The TRITON FULL HEIGHT is designed to be a high security and aesthetic access control solution
- Exported worldwide

#### APPLICATIONS

- Suited for applications requiring high volume access and high levels of security
- Used extensively in applications such as office reception areas, commercial buildings and universities

#### DESIGNED FOR

- Interior installations
- Harsh operating conditions

#### AVAILABLE CONFIGURATIONS

- 3 arm (120°)
- Single and double



# UNIQUE FEATURES OF THE TRITON FULL HEIGHT TURNSTILE

## ROTALOK® ROTATION LOCKING MECHANISM

- Fitted to all Triton Full Height turnstiles
- Ultra heavy-duty electromechanical rotation locking mechanism
- Bi-directional operation
- Designed by professional engineers
- Tried, tested and perfected over a period of over 20 years

## RELIABLE TECHNOLOGY

- Self-centering rotation system - rotor returns to starting position after every rotation
- Anti-Trap® safety system - no mid-rotation locking or trapping in the event of a power failure
- Extra secure 60° anti-reverse system
- Programmable PLC logic with user diagnostic features
- Mechanical key override - clockwise and anti-clockwise directions (fail-secure)

## DURABLE FEATURES

- Zinc plated for corrosion resistance
- Ultra quiet, buffered solenoids and pawls
- Solenoids rated for 100% duty cycle
- Case hardened locking disk and pawls - eliminating any wear
- Factory settings need no further adjustment
- No routine maintenance whatsoever, ever

## GUARANTEED MANUFACTURED TO LAST

- 5 year mechanical guarantee
- 1 year electrical guarantee

## STAR QUALITIES



STAINLESS STEEL HANDLES



CLADDING CONCEALING ALL  
GLASS FIXINGS



# TECHNICAL SPECIFICATIONS

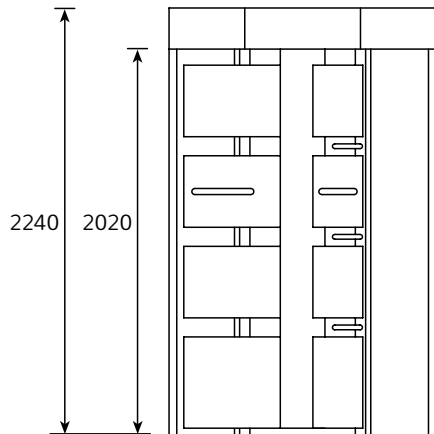
POWER	220 Volt AC (110 Volt AC on request)
FREQUENCY	50Hz / 60Hz
POWER CONSUMPTION	50W
SOLENOID VOLTAGE	24 Volt DC (12 Volt DC on request)
LOGIC VOLTAGE	24 Volt DC
DIMENSIONS	Single turnstile   1 400mm wide x 2 240mm high DOUBLE turnstile   2 180mm wide x 2 240mm high
ROTOR DIAMETER	1 250mm
ROTOR WING CONFIGURATION	3 wing (120°)
FORM	Octagonal
ROTOR GLASS WINGS	10mm toughened glass
KICKPLATE	6mm mild steel / stainless steel
FRAME GLASS INFILL	6mm toughened glass
PUSH HANDLES	Stainless steel
LIGHTING	4 low-voltage downlighters
DESIGN	Modular bolt-together design for ease of transport and installation. Components can pass through a standard door. Can be packed in broken-down form either onto a pallet or into a crate for transport
SYSTEMS INTEGRATION	<ul style="list-style-type: none"><li>• Integrates with all access control and time and attendance systems</li><li>• Unlocking for entry / exit rotation controlled through normally open dry contact</li><li>• Transaction / rotation complete output</li><li>• Integral wireways with draw wires in place - no exposed wires</li></ul>

## MANUFACTURING OPTIONS

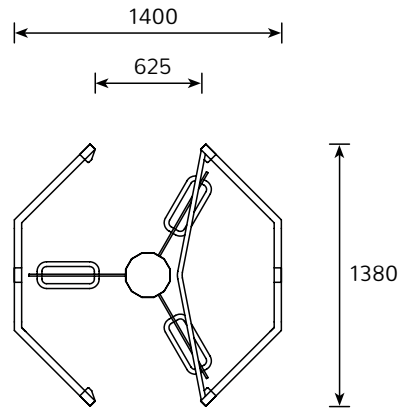
ROTATION OPTIONS	<ul style="list-style-type: none"><li>• Electrically controlled bi-directional rotation (factory standard)</li><li>• Mechanically controlled uni-directional rotation by means of key override</li><li>• Free rotation</li></ul>
LOCKING OPTIONS	<ul style="list-style-type: none"><li>• Fail-secure auto-lock on power failure (factory standard)</li><li>• Fail-safe auto-unlock on power failure</li><li>• Each direction of rotation configurable for either fail-secure or fail-safe operation</li></ul>
FIRE ALARM OPTIONS	Free rotation when triggered indefinitely (logic programmed for direction or rotation on request)
POWER OPTIONS	Battery backup with two 12 volt 7Ah batteries connected in series <ul style="list-style-type: none"><li>• Up to 1 000 transactions in fail-safe mode</li><li>• Up to 60 minutes operation in fail-safe mode</li></ul>
ACCESSORY OPTIONS	<ul style="list-style-type: none"><li>• Card / proximity reader mounting brackets</li><li>• Biometric / fingerprint reader mounting brackets</li><li>• Single / double pushbutton in plastic housing</li><li>• LED red cross and green arrow indicator light</li></ul>
FRAME & KICKPLATE FINISH OPTIONS	<ul style="list-style-type: none"><li>• Mild steel with UV resistant polyester exterior powder coat finish (charcoal blue hammertone) ■</li><li>• 304 grade brushed stainless steel</li><li>• 316 grade brushed stainless steel ▲</li></ul> <p>▲ suitable for highly corrosive environments (details available on request) ■ other colours available on request</p>

# TRITON OCTAGONAL RANGE

## SINGLE

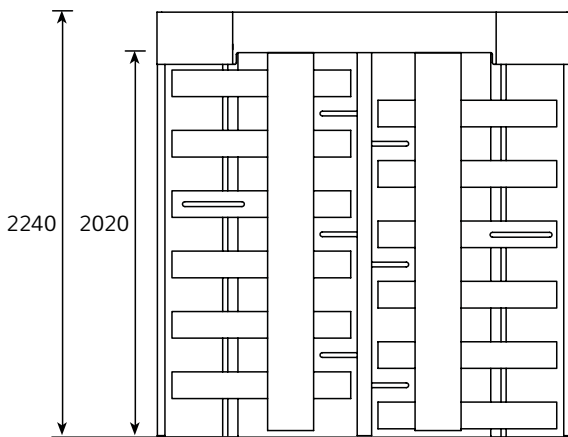


ELEVATION

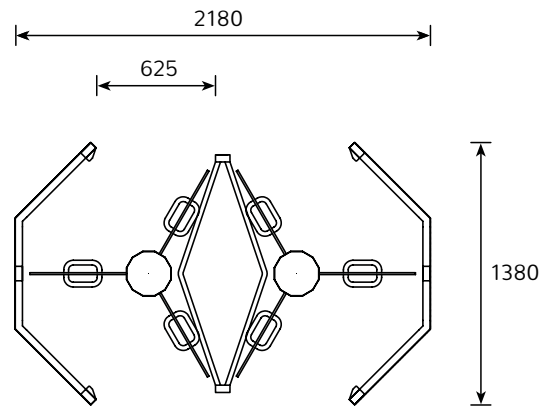


PLAN

## DOUBLE



ELEVATION



PLAN

© Turnstar Systems

MANUFACTURER

EUROPEAN DISTRIBUTOR

PARTNER

**TURNSTAR**  
RELIABLE ★ DURABLE ★ GUARANTEED

JOHANNESBURG HEAD OFFICE  
18 6th Street, Wynberg, Sandton, 2090  
T: +27 (0)11 786 1633 | F: +27 (0)11 440 5839  
E: info@turnstar.co.za | W: www.turnstar.co.za

**GERAN**  
physical access control products

DISTRIBUTED EXCLUSIVELY IN EUROPE BY GERAN  
Butaanstraat 23, 7463 PG Rijssen  
T: +31 (0) 548-543000 | F: +31 (0) 548-541130  
W: www.geran-access.com